

FISCHBEIN®

Model 400 HP™

High Performance Plain Sew

Fischbein Model 400 HP™

The Fischbein Model 400 HP™ is a high-performance plain sew system that sets the industry standard for high-speed bag closing in the most demanding, high volume bagging environments. Safe and easy to use, the Model 400 HP™ is capable of sewing speeds up to 75 linear feet per minute. Features include a pneumatic rotary knife that efficiently cuts the thread at high speeds and an automated infeed system that guides the top of the bag through the entire bag sewing process.

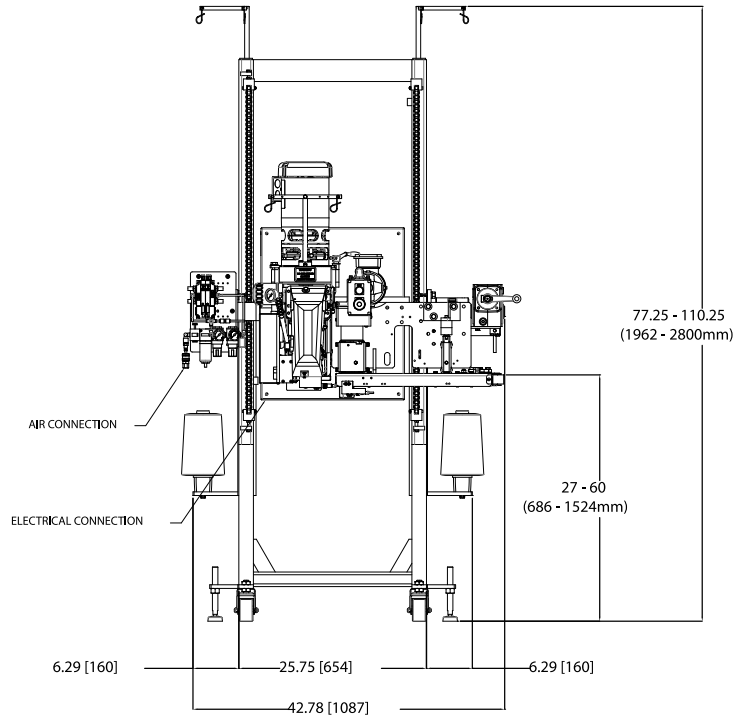
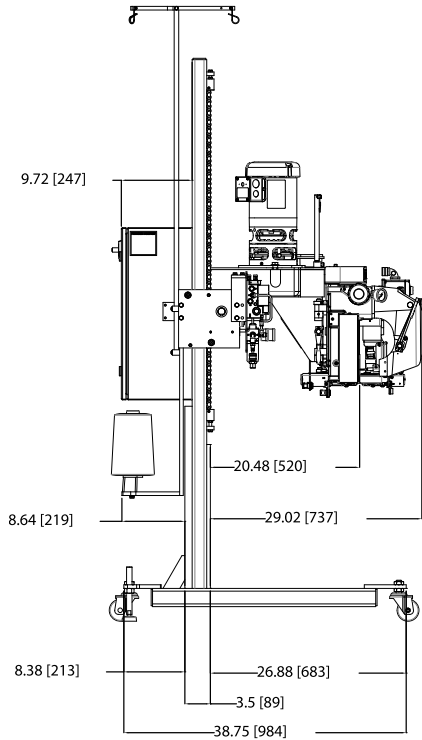


EVERYTHING IN BAGGING EQUIPMENT™



Fischbein® Model 400 HP™

High Performance Plain Sew



400HP

FEATURES

BAG TYPES

Closes a variety of pillow style or gusseted bags, including multi-wall paper, laminated and non-laminated woven polypropylene, and jute.

INFEE SYSTEM

Fast. Safe. Automated. The leading edge of the bag is fed into the infeed, which automatically guides the bag's top through the entire bag sewing process.

EMPRESS 200 SEWING HEAD

With its self-lubricating system, the Empress 200 delivers trouble-free, smooth performance with low vibration. Operating speeds up to 75 linear feet per minute.

HIGH SPEED ROTARY KNIFE

Pneumatic rotary knife is designed for high speed bag closing applications where efficient thread cutting is critical.

SWING FEATURE

Exclusive sewing head swing feature makes threading the 400 HP™ a snap, and provides full access for cleaning and easy head removal.

OPTIONS

- Direct drive VFD package for synchronous sewing
- Motor starter and contactor for conveyor
- Optical thread break and oil sensor package
- Tagger Infeed
- Rotary knife thread cutter
- 575 VAC

SPECIFICATIONS

- Dimensions: L 46 in (117 cm), D 41 in (104 cm), H 78 in (198 cm)
- Speed: Up to 75 linear feet per minute
- Electric (NEMA 12): 230/380/460 VAC, 3 PH, 50/60 Hz
- Air: 5 cfm @ 90 PSI

BAGS

- Bag Types: Multi-wall paper, woven polypropylene bags and jute.
- Bag Thickness: Maximum 12 mils
- Free Bag Top: Minimum 6 in (15.2 cm)

APPLICATIONS

- Fertilizers/Minerals
- Cat Litter
- Feed Additives
- Bakery Mixes
- Chemicals
- Pet Food
- Agricultural Seed
- Powdered Dairy Products

570 - 323 - 9030

**HAMER
FISCHBEIN®**

A DURAVANT COMPANY

Specifications are subject to change without notice.

