

FISCHBEIN®

Model HAS 300™

Hot Air Sealer

Fischbein Model HAS 300™

The Fischbein Model HAS 300™ Hot Air Sealer is a high-production sealing system that efficiently closes a wide range of heat sealable pillow-type and gusseted bags at up to 60 linear feet per minute. Easily adjustable controls for the heaters, air flow, and carry through belts ensure consistent, sift proof sealing for a variety of bag sizes and thicknesses. There are NO BANDS required to seal gusseted bags, eliminating related maintenance cost and downtime.

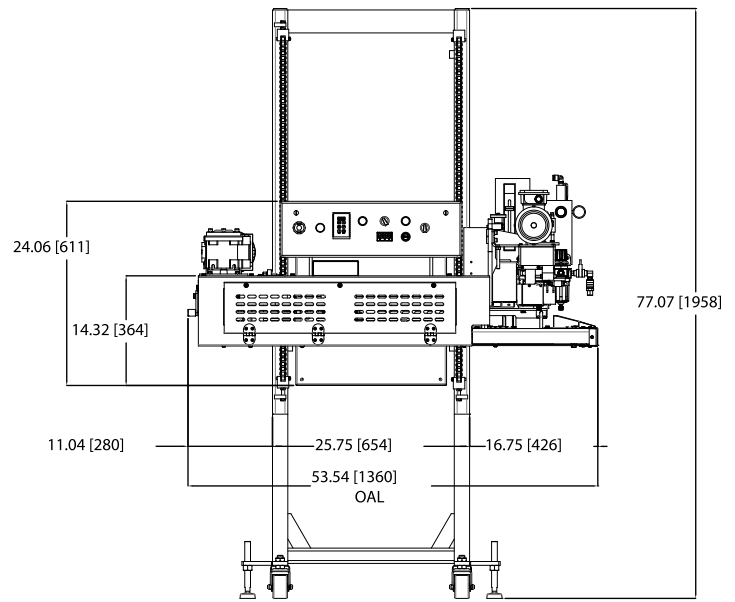
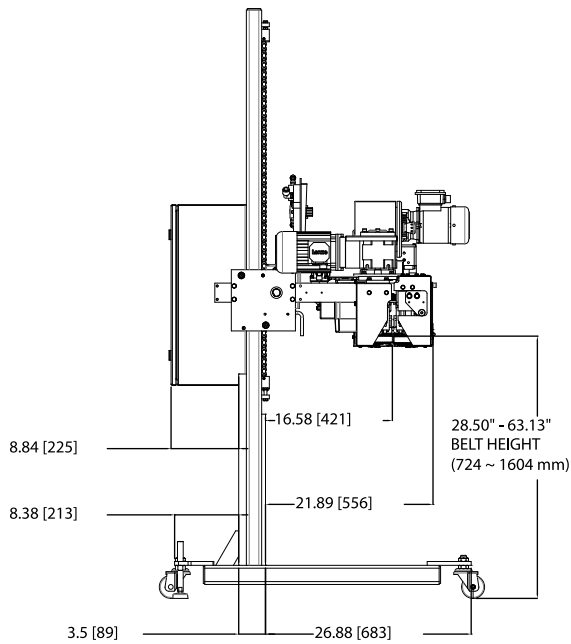


EVERYTHING IN BAGGING EQUIPMENT™



Fischbein® Model HAS 300™

Hot Air Sealer



HAS300

FEATURES

BAG TYPES

Seals pillow and gusseted style polyethylene bags without the use of bands.

CONSISTENT, CONTINUOUS PRODUCTION

Dual VFDs provide synchronous compression wheel and carry through belt speed control. The result - strong, sift-proof closures, every time.

NO BANDS

Eliminate maintenance costs and downtime - no bands required to seal gusseted bags.

USER FRIENDLY CONTROLS

Safe and easy to use control panel with digital temperature display, key pad for variable speed control, and dual emergency stop buttons.

OPTIONS

- Left to right operation
- Motor starter and contactor for conveyor
- Air wash system with high performance bag top trimmer
- CR Plus 2 part corrosion resistant powder coat finish
- Stainless Steel NEMA 4 washdown model

SPECIFICATIONS

- Dimensions: L 55 in (140 cm), D 34 in (86 cm), H 79 in (201 cm)
- Speed: 30 to 60 linear feet per minute
- Electric (NEMA 12): 230/380/460 VAC, 3 PH, 50/60 Hz
- Air: 10 cfm @ 60 PSI

BAGS

- Bag Types: Heat sealable structures in pillow and gusseted bags.
- Bag Thickness: Maximum 10 mils
- Free Bag Top: Minimum 6 in (15.2 cm)

APPLICATIONS

- Fertilizers
- Minerals
- Chemicals
- Cat Litter
- Pet Food
- Feed Additives
- Agricultural Seed
- Bakery Mixes
- Powdered Dairy Products

570 - 323 - 9030

**HAMER
FISCHBEIN®**

A DURAVANT COMPANY

Specifications are subject to change without notice.

