

FISCHBEIN®

Model 500 THP+™

Synchronous Tape Sewing System

Fischbein Model 500 THP+™

The Fischbein Model 500 THP+™ is the latest in Hamer-Fischbein sewing technology. Our new top of the line tape sewing system includes many features that will improve productivity.

- New, intuitive HMI interface
- Improved powered crepe tape feed system
- New easy to adjust infeed
- Improved thread control
- PLC and servo motor eliminates need for clutch/brake with speeds adjustable through the HMI

The 500 THP+ closes multi-wall paper, and laminated woven polypropylene open mouth bags at speeds up to 75 linear feet per minute.

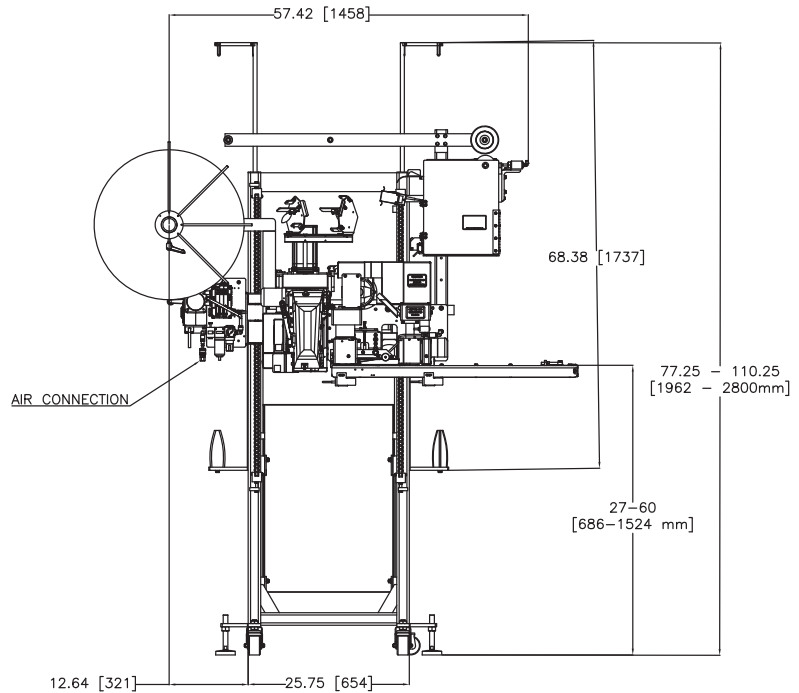
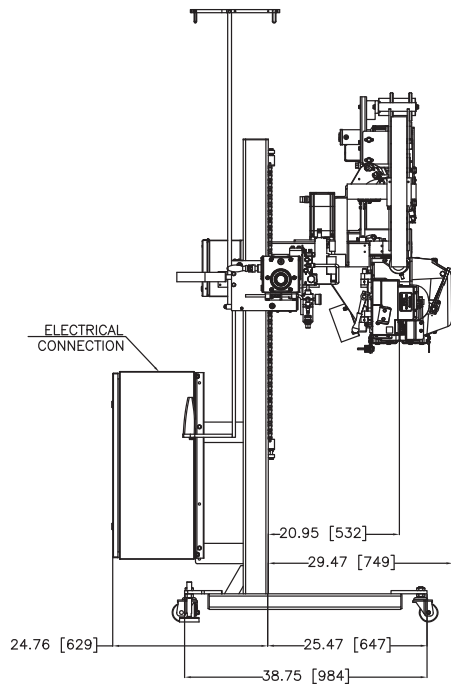


EVERYTHING IN BAGGING EQUIPMENT™



Fischbein® Model 500 THP+™

Synchronous Tape Sewing System



FEATURES

BAG TYPES

Closes a variety of bags including flat and gusseted multi-wall paper, and woven polypropylene bags.

EMPRESS 201 SEWING HEAD

With its self-lubricating system, the Empress 201 delivers trouble-free smooth performance with low vibration. Operating speed is adjustable up to 75 linear feet per minute.

BAG TOP TRIMMER

Specifically designed with quick change, long life blades that ensure months of trouble-free operation.

SPEED SETTINGS

Head and infeed speeds are set via HMI. A timing belt between the sewing head and motor ensures consistent, drift-free control.

COMES STANDARD WITH:

New, intuitive HMI interface, improved powered crepe tape feed system, easy to adjust infeed, and improved thread control. The PLC and servo motor eliminate the need for a clutch/brake.

OPTIONS

- Tagger infeed
- Tape contact coder (P2375)
- Motor starter and contactor for conveyor

SPECIFICATIONS

- Dimensions: L 58 in (147 cm), D 41 in (104 cm), H 78 in (198 cm)
- Speed: Up to 75 linear feet per minute
- Electric (NEMA 12): 230/380/460 VAC, 3 PH, 50/60 Hz
- Air: 15 cfm @ 90 PSI

BAGS

- Bag Types: Multi-wall paper and laminated woven polypropylene open mouth bags
- Bag Thickness: Maximum 125 mils
- Free Bag Top: Minimum 6 in (15.2 cm)

APPLICATIONS

- Fertilizers/Minerals
- Cat Litter
- Feed Additives
- Bakery Mixes
- Chemicals
- Pet Food
- Agricultural Seed
- Powdered Dairy Products

570 - 323 - 9030

**HAMER
FISCHBEIN®**

A DURAVANT COMPANY

Specifications are subject to change without notice.

